

## LA600WH WIRED / WIRELESS DOOR CHIME

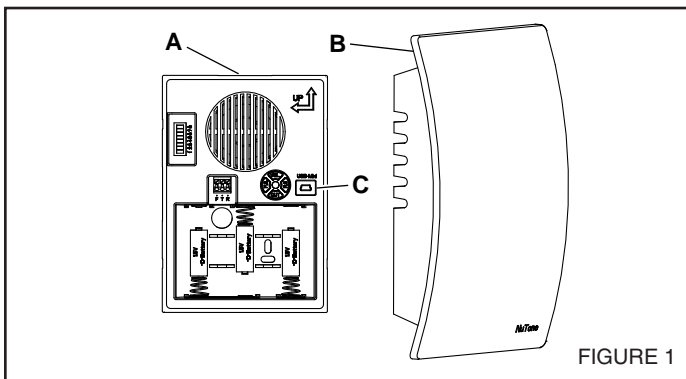
To register this product, visit: [www.nutone.com](http://www.nutone.com)

### THIS PACKAGE INCLUDES:

- Wired / Wireless Door Chime with MP3 upload capability
- Decorative White Chime Cover
- USB Cable
- Mounting Hardware
- Pushbutton Diode (required for wired installation)

Door chime comes with eight pre-loaded sounds. Prior to installation, upload desired MP3 sound files.

1. Remove chime cover (B) from chime base (A). You may need to insert a finger into the large hole on the back of the chime base. (Figure 1)



### UPLOAD MP3 TUNES

1. Insert a USB Mini cable end into the doorbell mechanism USB jack (C). (Figure 1)
2. Insert the remaining larger USB cable end into a USB port on your computer.
3. On your **WINDOWS** computer,
  - Select "Start" in the bottom corner of your Desktop.
  - Select "My Computer"
  - Select the new device detected. (The drive "D:," "E:," etc. will vary from computer to computer).
  - Select the device.
  - You will now see a window that contains several mp3 files. These are the tunes that are pre-installed on your doorbell mechanism.
  - Search your computer for other mp3 songs that you wish to play on your doorbell mechanism when activated. Note: Files must be in mp3 format.
  - Once you have located those files, simply "COPY" the file and "PASTE" it into the folder that contains the pre-installed doorbell files.
  - Confirm that the transferred files are complete.
4. Remove USB cable and proceed to one of the following sections.

### NEW WIRED CHIME INSTALLATION

TURN OFF POWER AT SERVICE ENTRANCE.

ALL ELECTRICAL WORK MUST BE DONE IN ACCORDANCE WITH LOCAL AND/OR NATIONAL ELECTRICAL CODE AS APPLICABLE.

- Wired chime installation requires a lighted front door pushbutton.
  - Use NuTone® 16 volt transformer with a minimum rating of 10 VA (purchase separately).
  - When stapling wires to studs or joists, do not allow staples to cut through wire insulation.
1. Mount the transformer to a junction box (attic location is not recommended) or circuit breaker box.
  2. Connect house power leads to transformer leads: black to black, white to white, ground to green. (Figure 2)

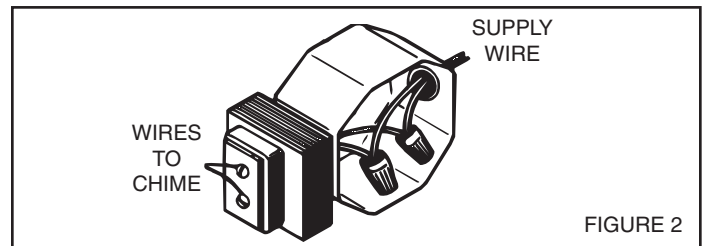


FIGURE 2

3. Route 2-conductor 18-22 gauge wire from the transformer screw terminals and from the pushbutton terminals to the chime location. (Figure 3)

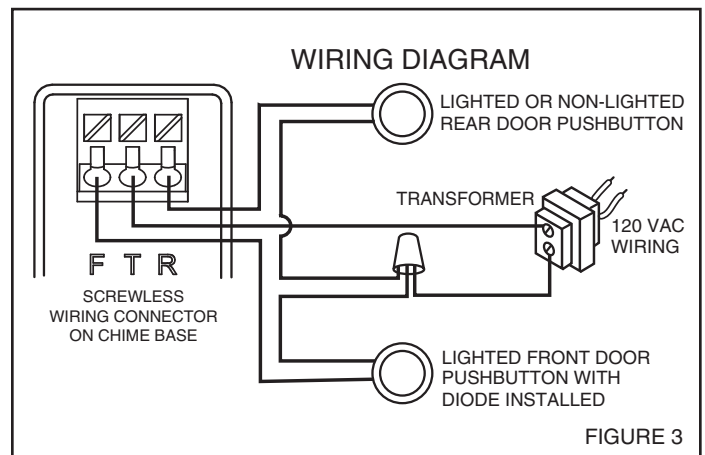


FIGURE 3

4. Label all wires at chime location in the following manner:
  - "F" – Front Push Button Wire
  - "T" – Transformer Wire
  - "R" – Rear Push Button Wire (if installed)
5. The chime can be installed vertically or horizontally. Determine your preferred orientation. Locate the arrows on the front of the chime base. Make sure one of the arrows is pointing up.

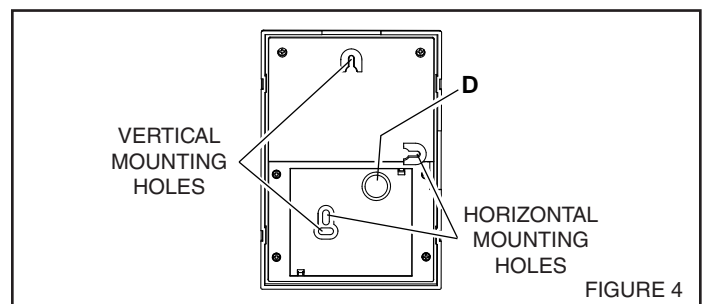


FIGURE 4

- Bring wires through the circular wire hole (D) in chime base. (Figure 4)
- Mount chime base to wall using screws provided. Always use 2 screws for wall mounting. (Figure 4)
- Connect wires to the screwless wiring connector as follows: Wire "F" to connector terminal "F"; wire "T" to connector terminal "T" and wire "R" to connector terminal "R" if installed. (Figure 3)
- Proceed to section titled: "INSTALL WIRED PUSHBUTTON"

## EXISTING WIRED CHIME INSTALLATION

### TURN OFF POWER AT SERVICE ENTRANCE.

#### Wired chime installation requires a lighted front door pushbutton.

- Verify a 16-volt transformer with a minimum rating of 10 VA is installed.
- Remove existing chime cover.
- Label all wires in the following manner:  
 "F" – Front Push Button Wire  
 "T" – Transformer Wire  
 "R" – Rear Push Button Wire (if installed)
- Disconnect all wires from existing chime base and remove from wall.
- Follow Steps 6 through 9 under section titled: "NEW WIRED INSTALLATION."

## INSTALL WIRED PUSHBUTTONS

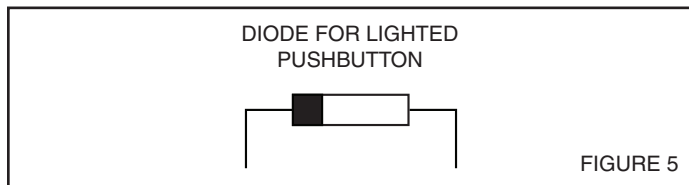
### Power to transformer should be disconnected during pushbutton installation.

#### Wired chime installation requires a lighted front door pushbutton.

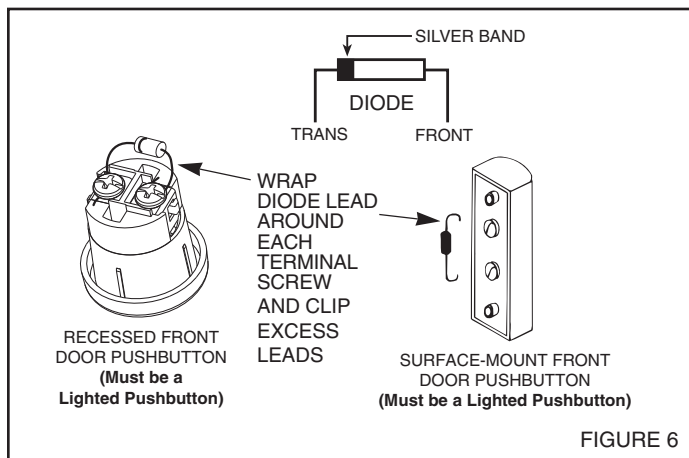
#### A diode must be added to the lighted front door pushbutton so that power will be supplied continuously to the chime.

#### Do not install a diode on the rear door pushbutton.

- Locate the envelope containing the front door pushbutton diode. (Figure 5)



- If using an existing pushbutton(s), remove existing pushbutton(s) from wall. If installing new pushbutton(s), refer to installation instructions provided with pushbutton(s).
- Gently loosen pushbutton terminal screws and install diode from Step 1 on front door pushbutton only. (Figure 5) Wrap diode leads around terminals and clip excess leads. (Figure 6)



- Connect transformer wire to the front door pushbutton terminal closest to the silver band on the diode. Connect the chime wire to the other terminal.

- Restore power to transformer.
- Press the pushbutton and listen for the chime to sound. If chime does not operate, remove pushbutton from wall and reverse orientation of diode.
- After confirming chime operates, follow steps under section titled "Manage Chime Notification" to select a tune, set tune duration, and set volume.
- Install pushbutton(s) on wall.

NOTE: To prevent shorting on metal siding, place a piece of insulating tape on the siding surface near the diode.

NOTE: Lighted pushbutton brightness will be reduced by 30%-40%. This is normal and will increase the life of the bulb.

- Place cover (B) over chime base (A) and press down to install. A "click" will confirm that it is securely attached. (Figure 1)
- Proceed to section titled: "Manage Chime Notifications"

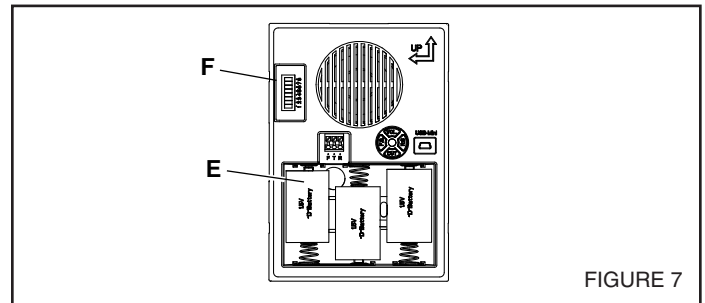
## WIRELESS CHIME INSTALLATION

### Unobstructed wireless operating range: Up to 100 feet.

#### NOTE: Wireless pushbutton sold separately. Refer to installation instructions included with wireless pushbutton.

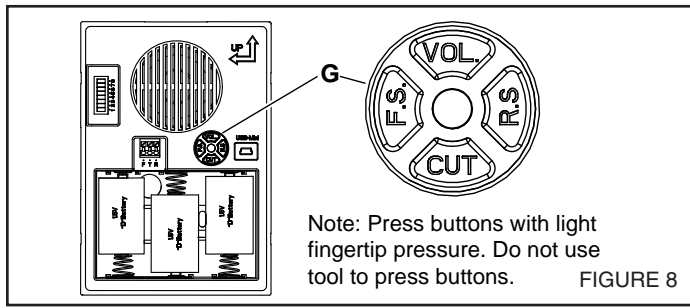
#### Keep batteries out of the reach of children.

- Insert three alkaline "D" batteries (not included) (E) in battery compartment. Make sure batteries are oriented properly. (Figure 7)



- Obtain wireless pushbutton(s) (sold separately) and install battery per wireless pushbutton(s) instructions. If more than one pushbutton is being installed, a different tune may be selected for each door (up to 2 doors). Refer to pushbutton installation instructions.
- Press pushbutton(s) to confirm the chime mechanism and pushbutton(s) work properly. If the chime does not sound:
  - Confirm the code settings in the chime mechanism and wireless pushbutton(s) are the same. Jumpers (F) installed on the numbered contacts on the chime mechanism must match the dip switch toggles turned to the ON position in the wireless pushbutton(s). (Figure 7)
  - Verify proper installation of batteries in chime mechanism and pushbutton(s).
  - Check condition of batteries in chime mechanism and pushbutton(s). Replace if required.
- After confirming chime operates, follow steps under section titled "Manage Chime Notification" to select a tune, set tune duration and set volume.
- Install the wireless pushbutton(s) at the desired door(s). Refer to installation instructions provided with wireless pushbutton(s).
- Place chime mechanism in desired location. Confirm operation by pressing pushbutton(s). If the chime does not sound:
  - The chime or pushbutton(s) are mounted on or near stucco or metal studs, the transmitter range may be reduced. Use wood shims to raise chime or pushbutton(s) 1/4" to 1/2" from surface.
  - Concrete floors and walls may also reduce transmitter range. Move chime away from concrete floor or wall.
  - Install chime mechanism closer to wireless pushbutton(s).
- Remove batteries from mechanism.
- Mount chime base to wall using screws provided (see Step 8 in "New Wired Chime Installation" section).
- After mounting chime base to wall, install batteries.
- Place cover (B) over chime base (A) and press down to install. A "click" will confirm that it is securely attached. (Figure 1).
- Proceed to section titled: "Manage Chime Notification"

# MANAGE CHIME NOTIFICATION



## Select a Tune

The four button switch and indicator LED (G) on the chime are used to select the desired tunes for the chime. (Figure 8)

1. Make sure that the chime is powered (batteries or wiring).
2. Press “FS” button (Figure 8) one or more times to cycle through the tunes for the front door pushbutton. Do not press “FS” button after desired tune plays.
3. If rear door pushbutton is installed, press “RS” button (Figure 8) one or more times to cycle through the tunes for the rear door pushbutton. Do not press “RS” button after desired tune plays.

## Set Tune Duration

1. Once the tune is selected, the time the tune plays can be adjusted to one of four durations:
  - Press the “CUT” button (Figure 8) one or more times to select the play time desired (5, 10, 20 seconds or the full song).
  - The desired play time is indicated by the LED indicator as outlined in the table below:

Length of Tune Played	Frequency of Flashing LED
5 sec.	Flashes once every second for 20 seconds.
10 sec.	Flashes 2 times, delays for 2 seconds, then repeats for 20 seconds.
20 sec.	Flashes 3 times, delays for 2 seconds, then repeats for 20 seconds.
Full Song Played	LED is illuminated continuously for 20 seconds.

# IMPORTANT NOTES FOR SETTING TUNE DURATION

- For all preprogrammed tunes, “CUT” should be set to “Full Song Played” (LED is illuminated continuously for 20 seconds).
- “CUT” should only be used with uploaded tunes.
- Tune length must be longer than “CUT” time (5, 10 or 20 seconds).
- If tune does not play when doorbell button is pressed:
  - Set “CUT” to “Full Song Played” (LED is illuminated continuously for 20 seconds).
  - If installation is wired, confirm that a lighted front pushbutton is used (Figure 5) and that diode and wires are securely connected to front pushbutton’s screw terminals per section titled “Install Wired Pushbuttons” (Figure 6)

## Adjust volume

While the tune is playing, press “VOL” button (Figure 8) one or more times to cycle through three volume levels.

**Regulatory Information**

**The user is cautioned that changes or modifications not expressly approved by the party responsible for regulatory compliance could void the user’s authority to operate this equipment.**

This device complies with Part 15 of the FCC rules.

This device complies with RSS-210 of the Industrial Canada Rule.

Operation is subject to the following two conditions:

1. This device may not cause harmful interference, and
2. This device must accept any interference received, including interference that may cause undesired operation.

## WARRANTY

---

### NUTONE ONE YEAR LIMITED WARRANTY

NuTone warrants to the original consumer purchaser of its products that such products will be free from defects in materials or workmanship for a period of one year from the date of original purchase. THERE ARE NO OTHER WARRANTIES, EXPRESS OR IMPLIED, INCLUDING, BUT NOT LIMITED TO, IMPLIED WARRANTIES OF MERCHANTABILITY OR FITNESS FOR A PARTICULAR PURPOSE.

During this one-year period, NuTone will, at its option, repair or replace, without charge, any product or part which is found to be defective under normal use and service.

THIS WARRANTY DOES NOT EXTEND TO FLUORESCENT LAMP STARTERS, TUBES, HALOGEN AND INCANDESCENT BULBS, FUSES, FILTERS, DUCTS, ROOF CAPS, WALL CAPS AND OTHER ACCESSORIES FOR DUCTING. This warranty does not cover (a) normal maintenance and service or (b) any products or parts which have been subject to misuse, negligence, accident, improper maintenance or repair (other than by NuTone), faulty installation or installation contrary to recommended installation instructions.

The duration of any implied warranty is limited to the one-year period as specified for the express warranty. Some states do not allow limitation on how long an implied warranty lasts, so the above limitation may not apply to you.

NUTONE'S OBLIGATION TO REPAIR OR REPLACE, AT NUTONE'S OPTION, SHALL BE THE PURCHASER'S SOLE AND EXCLUSIVE REMEDY UNDER THIS WARRANTY. NUTONE SHALL NOT BE LIABLE FOR INCIDENTAL, CONSEQUENTIAL OR SPECIAL DAMAGES ARISING OUT OF OR IN CONNECTION WITH PRODUCT USE OR PERFORMANCE. Some states do not allow the exclusion or limitation of incidental or consequential damages, so the above limitation or exclusion may not apply to you.

This warranty gives you specific legal rights, and you may also have other rights, which vary from state to state. This warranty supersedes all prior warranties.

To qualify for warranty service, you must (a) notify NuTone at the address or telephone number below, (b) give the model number and part identification and (c) describe the nature of any defect in the product or part. At the time of requesting warranty service, you must present evidence of the original purchase date.

Broan-NuTone LLC, 926 W. State Street, Hartford, Wisconsin 53027

www.nutone.com 888-336-6151

Broan-NuTone Canada, Inc., 1140 Tristar Drive, Mississauga, Ontario L5T 1H9

www.nutone.ca 877-896-1119